

Bar Linear Floor Register



Maximum height 8"

DABLDF

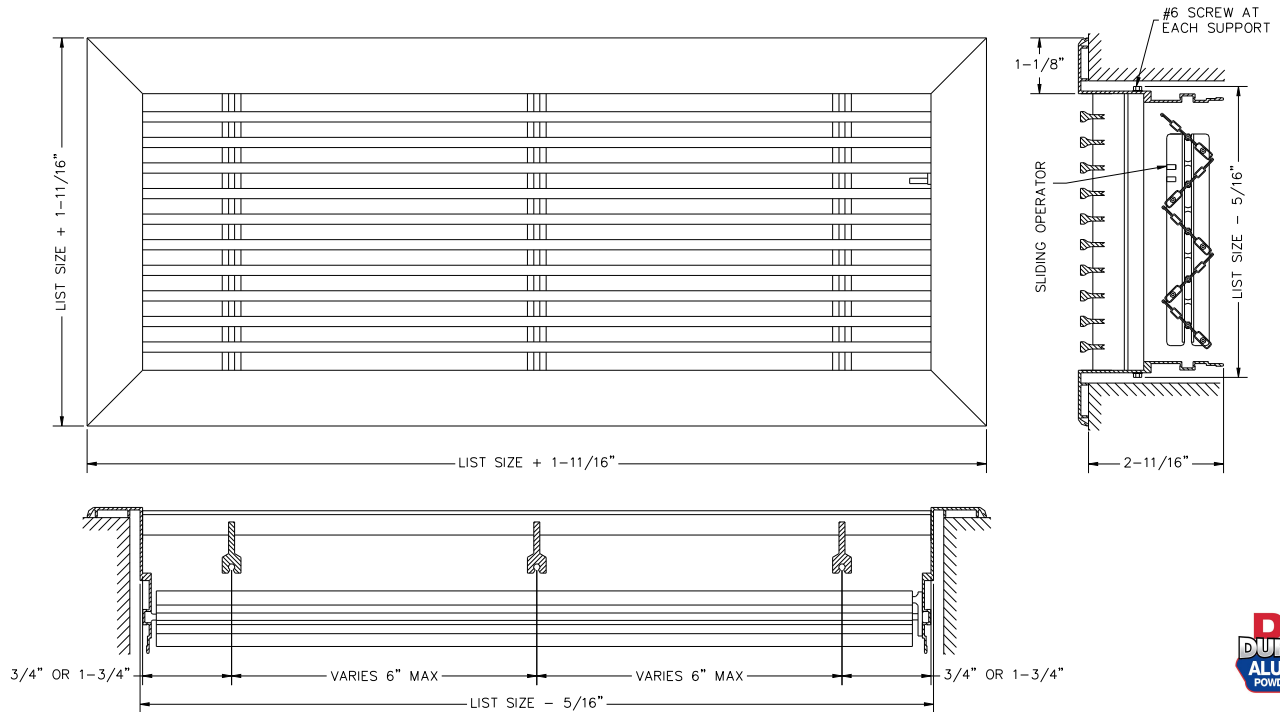
- Reinforced for floor use
- Fully extruded aluminum construction for a stylish appearance
- Fixed blades designed for long straight air throw
- Built-in Opposed Blade Damper with sliding operator
- Sections longer than 84" are joined together for continuous appearance with the aligning pins provided. Maximum height 8" Available on 1/2" increments as standard
- Custom sizes available, but extra charge may apply
- Durable powder coat painted finish
- Available in White, Silver, Brown, Mill or Special*

HOW TO ORDER
DABLDF - 00 - B 30 x 4 COLOR

Blade -00,-01 Length & Height White, Silver
 -15,-30 ↑ Brown, Mill
 -82,-84 Mounting or Special*

A,B or C

Do not leave space if option is not required



MODEL	DABLDF
FACE BLADES	Horizontal Fixed
REAR BLADES	n/a
DAMPER	Opposed Blade
MATERIAL	Aluminum
COLOR	White/Silver/Mill Brown/Special*

JOB NAME: _____

LOCATION: _____

ARCHITECT: _____

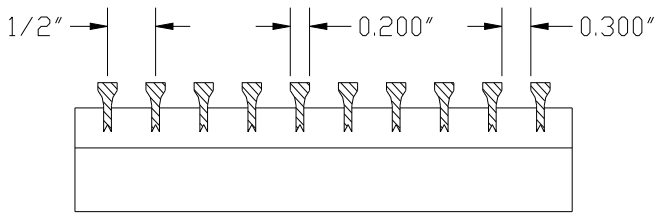
ENGINEER: _____

CONTRACTOR: _____

Bar Linear Blade Options

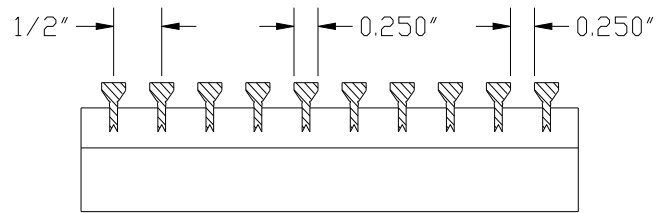
-00-

0° 13/64" blades on 1/2" centers



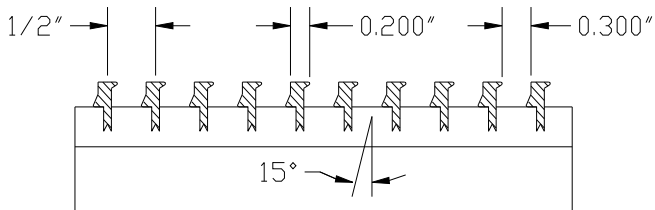
-01-

0° 1/4" blades on 1/2" centers



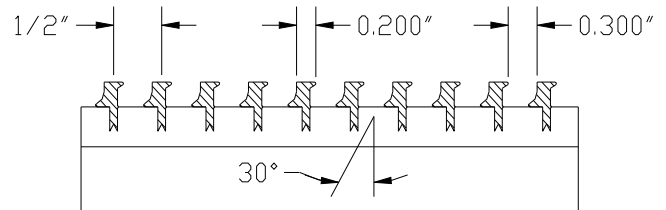
-15-

15° 13/64" blades on 1/2" centers



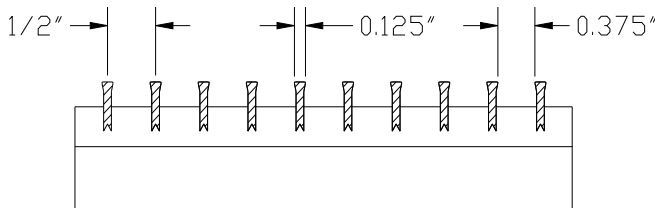
-30-

30° 13/64" blades on 1/2" centers



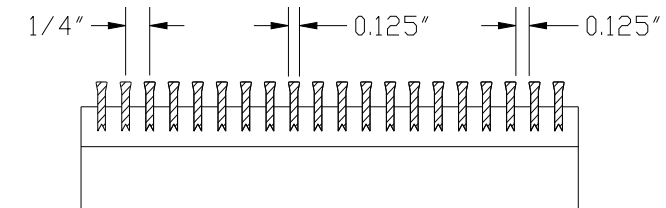
-82-

0° 1/8" blades on 1/2" centers



-84-

0° 1/8" blades on 1/4" centers

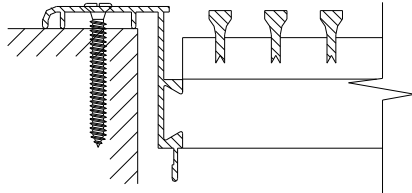


- Additional charges apply for the -84 core option

Bar Linear Mounting Options

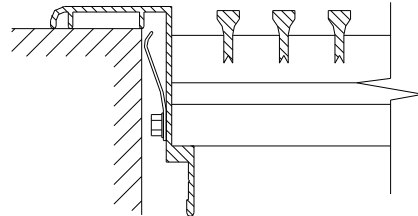
-A SCREWS

Color matched screws with countersunk screw holes.
Suitable for ceiling, wall, sill or floor installation.



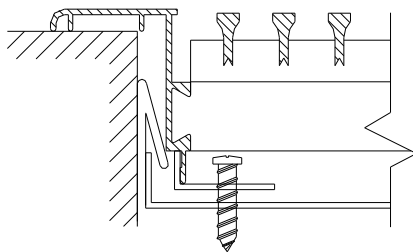
-B SPRING CLIPS

Clips behind the flange keep grille snug in opening and are not visible from the face.
Only for floor and sill applications.
NOT suitable for wall or ceiling use.



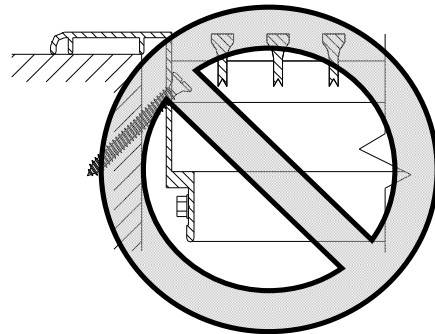
-C CONCEALED BRACKETS

Grille gets fastened to duct-mounted brackets that are concealed behind the blades.
Suitable for ceiling, wall, sill or floor installation.



-D SIDEWALL SCREW HOLES

Screw holes drilled at 45° on inner flange.
Only available with **-R Removable core**.
(Removable option not available for floor)
Suitable for ceiling, wall or sill installation.



-TB NO MOUNTING OPTION

Suitable for T-Bar lay-in ceiling & custom applications.
Account for the flange by ordering 2" under the T-Bar size,
e.g. a 22" x 10" grille will have a 23-11/16" x 11-11/16" OD
and will fit a standard 2 ft x 1ft T-Bar opening.

