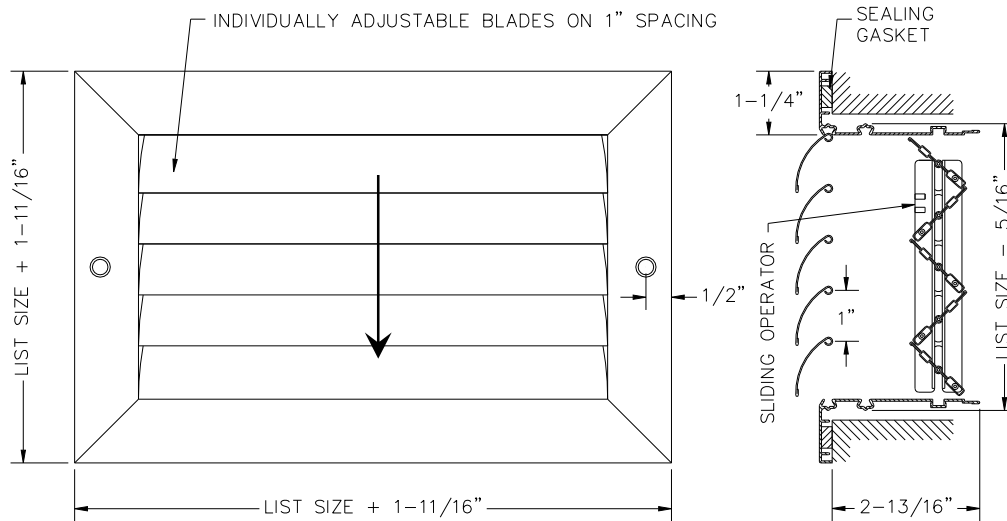


Curved Blade Register – One Way



DAC1HD

- Horizontal individually adjustable curved blades on 1" spacing allows a wider spread of air to be achieved
- Opposed Blade Damper with sliding operator
- Roll-formed aluminum blade installed in an extruded aluminum frame with mechanically locked corners
- Pressure fit nylon pivot pins (rattle free & non-loosening)
- Countersunk screw holes c/w painted mounting screws
- Sealing gasket to prevent streaking of walls or ceiling
- Available on 2" increments as standard
- Custom sizes available, but extra charge may apply
- Max blade length is 22", mullions used for larger sizes
- Durable powder coat painted finish
- Available in White, Silver or Mill



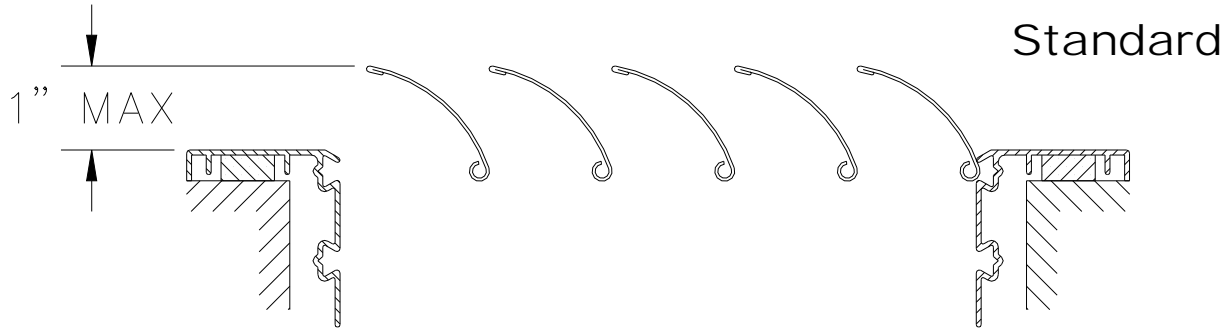
Standard blade option shown. See Curved Blade Options page.



MODEL	DAC1HD
FACE BLADES	Horizontal Adjustable
REAR BLADES	n/a
DAMPER	Opposed Blade
MATERIAL	Aluminum
COLOR	White/Silver/Mill

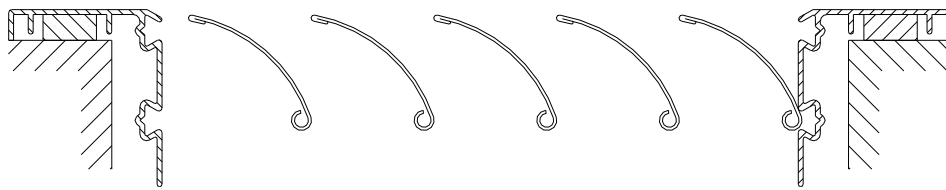
JOB NAME:	_____
LOCATION:	_____
ARCHITECT:	_____
ENGINEER:	_____
CONTRACTOR:	_____

Curved Blade Register Options



Blades on the standard blade option can extend out 1".
Do not specify this blade option when in a location that may cause a safety concern.

-R
Recessed blades



-F
Fixed Blades

