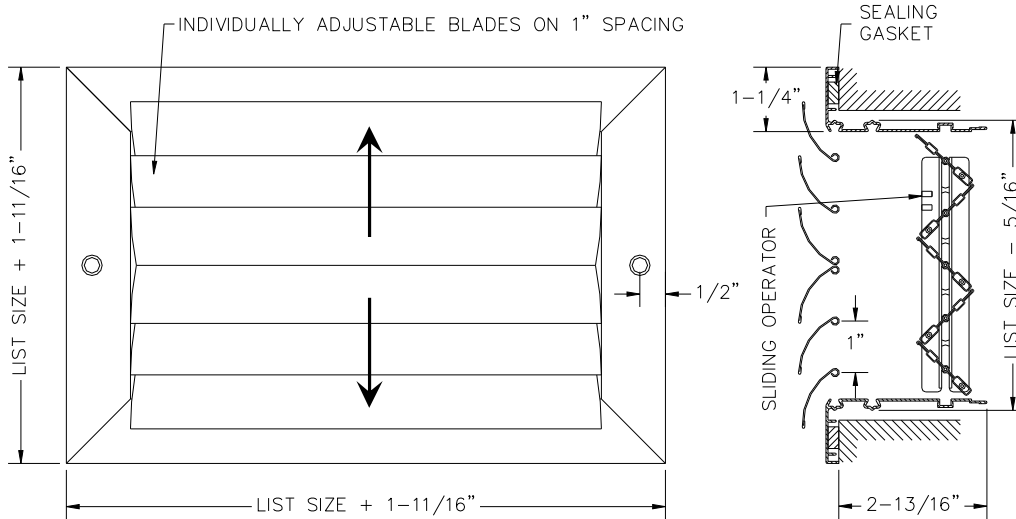


## Curved Blade Register – Two Way



### DAC2HD

- Two-way individually adjustable horizontal curved blades on 1" spacing allows a wider spread of air to be achieved
- Opposed Blade Damper with sliding operator
- Roll-formed aluminum blade installed in an extruded aluminum frame with mechanically locked corners
- Pressure fit nylon pivot pins (rattle free & non-loosening)
- Countersunk screw holes c/w painted mounting screws
- Sealing gasket to prevent streaking of walls or ceiling
- Available on 2" increments as standard
- Custom sizes available, but extra charge may apply
- Max blade length is 22", mullions used for larger sizes
- Durable powder coat painted finish
- Available in White, Silver or Mill



Standard blade option shown. See Curved Blade Options page.



<b>MODEL</b>	<b>DAC2HD</b>
<b>FACE BLADES</b>	Horizontal Adjustable
<b>REAR BLADES</b>	n/a
<b>DAMPER</b>	Opposed Blade
<b>MATERIAL</b>	Aluminum
<b>COLOR</b>	White/Silver/Mill

**JOB NAME:** \_\_\_\_\_

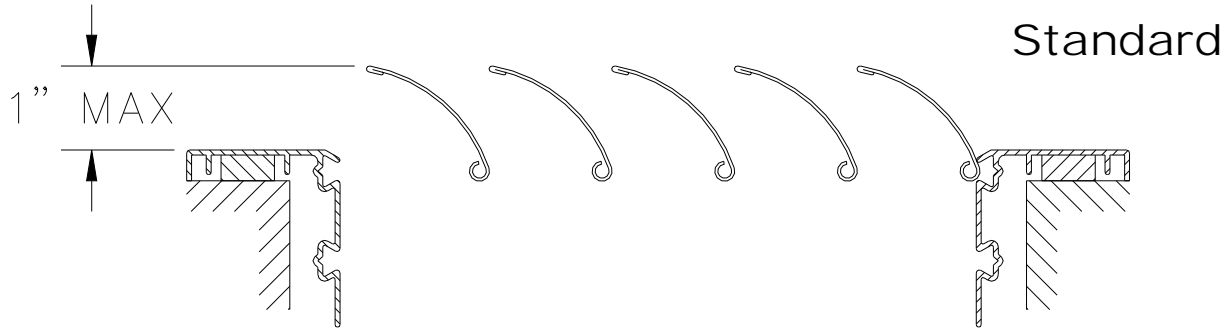
**LOCATION:** \_\_\_\_\_

**ARCHITECT:** \_\_\_\_\_

**ENGINEER:** \_\_\_\_\_

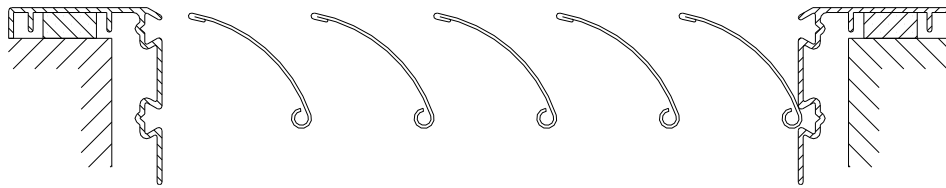
**CONTRACTOR:** \_\_\_\_\_

## Curved Blade Register Options



Blades on the standard blade option can extend out 1".  
Do not specify this blade option when in a location that may cause a safety concern.

### -R Recessed blades



### -F Fixed Blades

