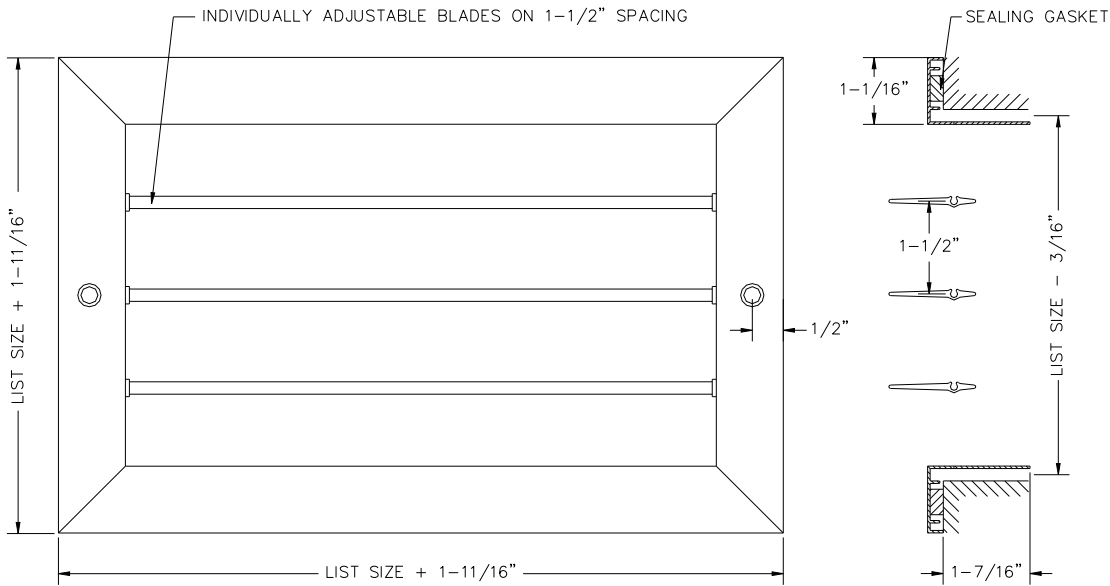


# Single Deflection Industrial Supply Grille



## DAIGH

- Horizontal individually adjustable blades on 1-1/2" spacing provide a large free area
- Extruded aluminum blade with semi-airfoil design
- Aluminum extruded frame with mechanically locked corners
- Countersunk screw holes c/w painted mounting screws
- Sealing gasket to prevent streaking on walls or ceiling
- Available on 2" increments as standard
- Custom sizes available, but extra charge may apply
- Max blade length is 26", mullions used for larger sizes
- Durable powder coat painted finish
- Available in White, Silver or Special\*



Standard blade option shown. See Industrial Grille Options page.



<b>MODEL</b>	<b>DAIGH</b>
<b>FACE BLADES</b>	Horizontal Adjustable
<b>REAR BLADES</b>	n/a
<b>DAMPER</b>	n/a
<b>MATERIAL</b>	Aluminum
<b>COLOR</b>	White/Silver/Special*

**JOB NAME:** \_\_\_\_\_

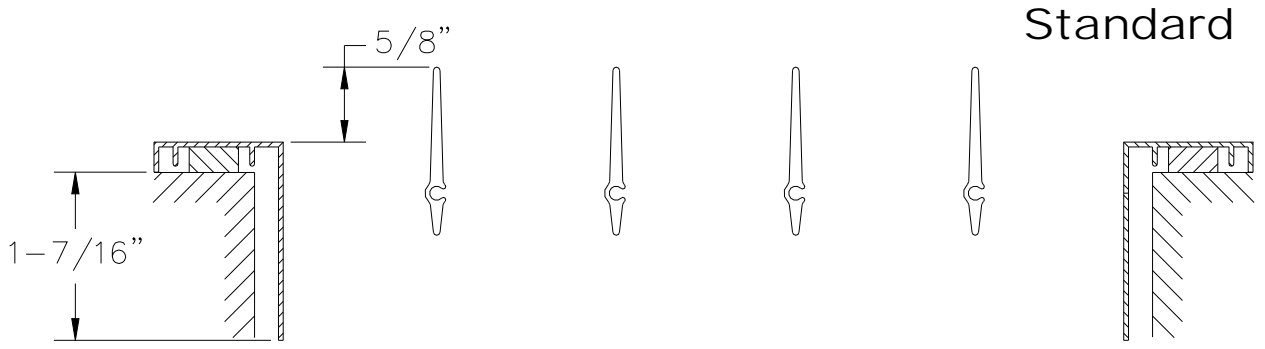
**LOCATION:** \_\_\_\_\_

**ARCHITECT:** \_\_\_\_\_

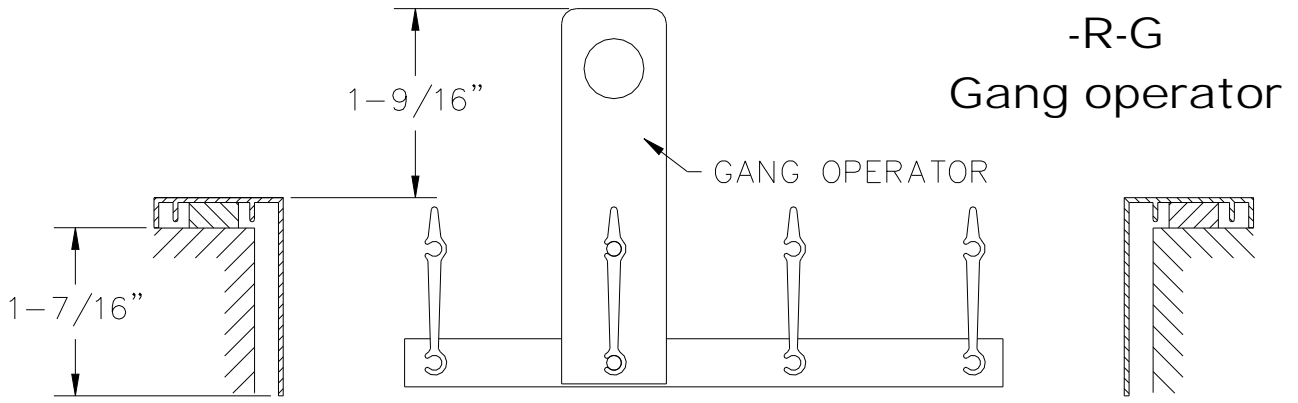
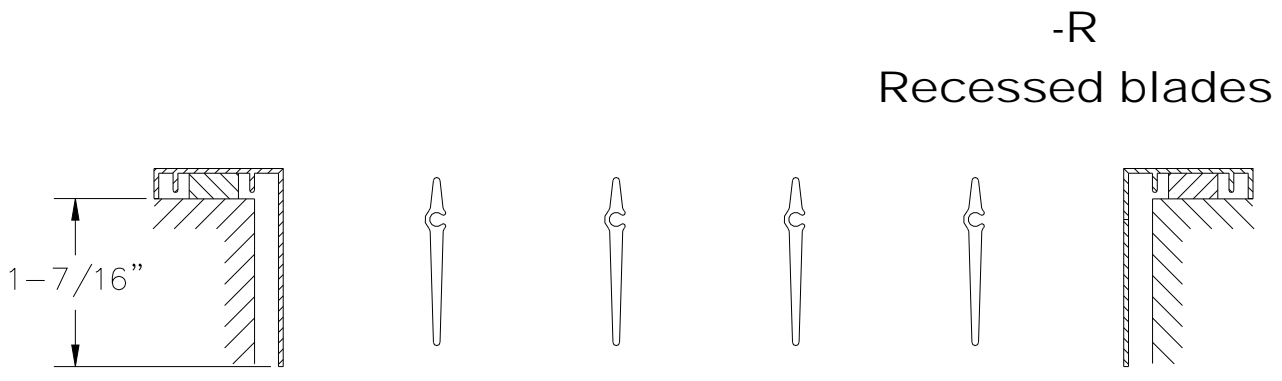
**ENGINEER:** \_\_\_\_\_

**CONTRACTOR:** \_\_\_\_\_

# Industrial Grille Options



Standard blade option can extend out up to 5/8".  
Do not specify this blade option for a location where it may cause a safety concern.



Gang operator can extend out up to 1-9/16".  
Do not specify this blade option for a location where it may cause a safety concern.  
Extra operator installed every 26". Only available with -R recessed blade option.