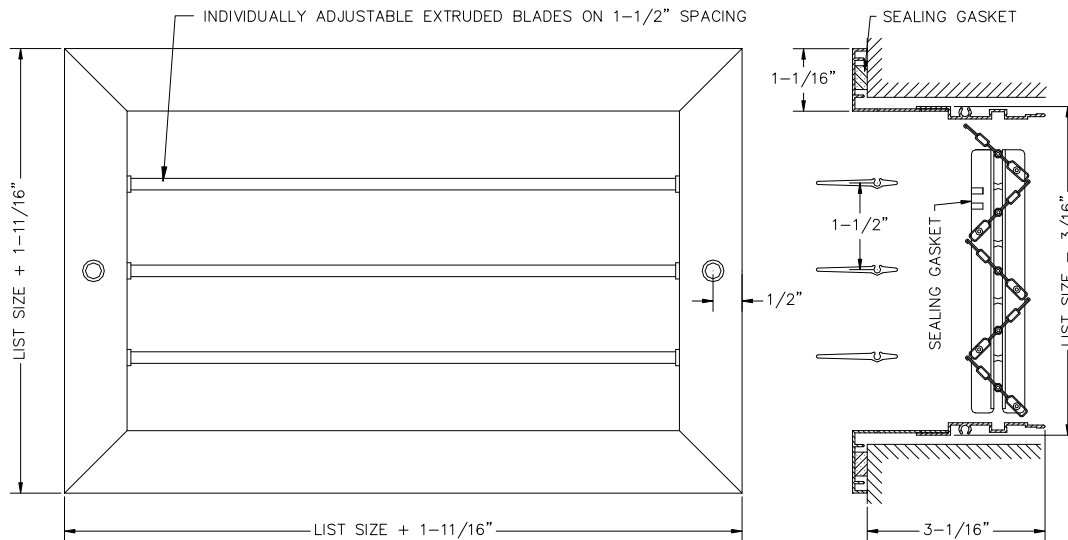


# Single Deflection Industrial Supply Register

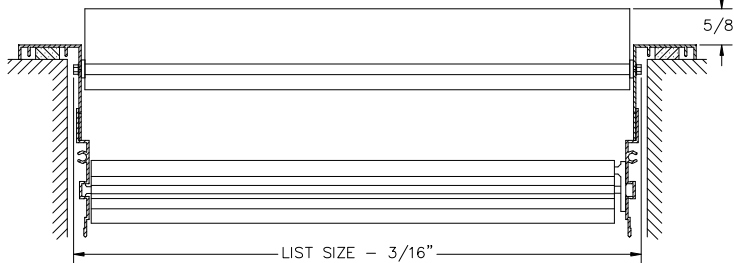


## DAIGHD

- Horizontal individually adjustable blades on 1-1/2" spacing provide a large free area
- Opposed Blade Damper with slide operator
- Extruded aluminum blade with semi-airfoil design
- Aluminum extruded frame with mechanically locked corners
- Countersunk screwholes c/w painted mounting screws
- Sealing gasket to prevent streaking of walls or ceiling
- Available on 2+ increments as standard
- Custom sizes available but extra charge may apply
- Max blade length is 26+ Mullions used for larger sizes
- Durable powdercoat painted finish
- Available in either White or Silver



Standard blade option (shown). See following page for other options



| MODEL       | DAIGHD                |
|-------------|-----------------------|
| FACE BLADES | Horizontal Adjustable |
| REAR BLADES | n/a                   |
| DAMPER      | Opposed Blade         |
| MATERIAL    | Aluminum              |
| COLOR       | White or Silver       |

JOB NAME: \_\_\_\_\_

LOCATION: \_\_\_\_\_

ARCHITECT: \_\_\_\_\_

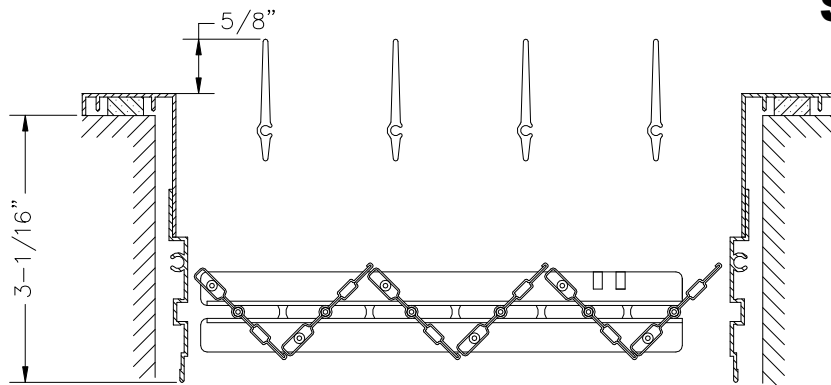
ENGINEER: \_\_\_\_\_

CONTRACTOR: \_\_\_\_\_



# Industrial Register Options

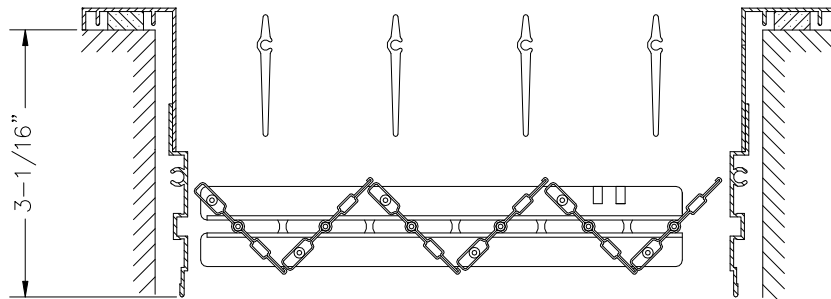
## Standard



Blades on the standard blade option can extend out 5/8+.  
Do not specify this option when in a location that may cause a safety concern

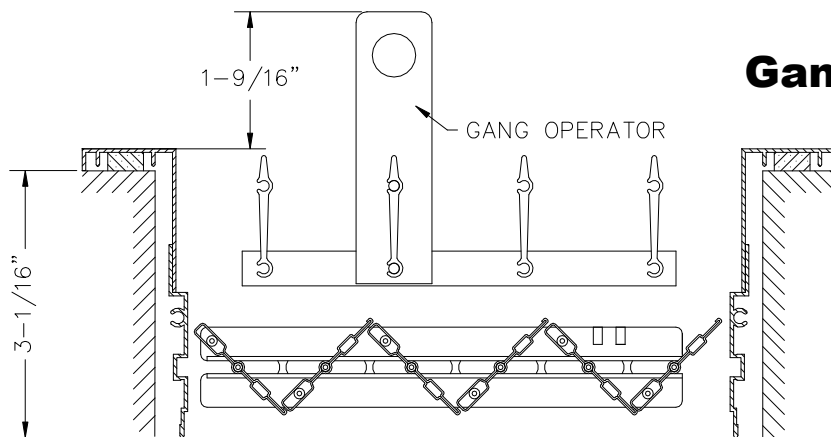
## -R

## Recessed blades



## -G

## Gang operator



Gang operator can extend out up to 1-9/16+  
Do not specify this blade option for a location where it may cause a safety concern  
Extra operator installed every 26+