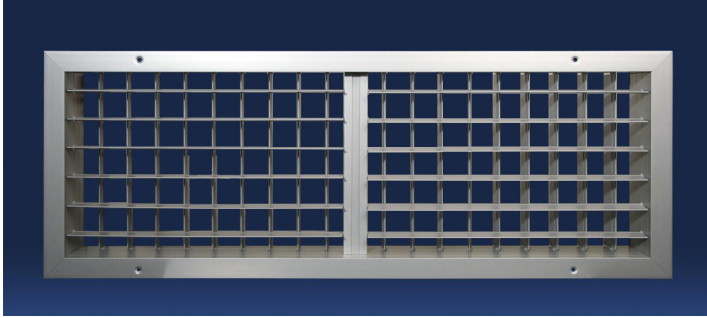
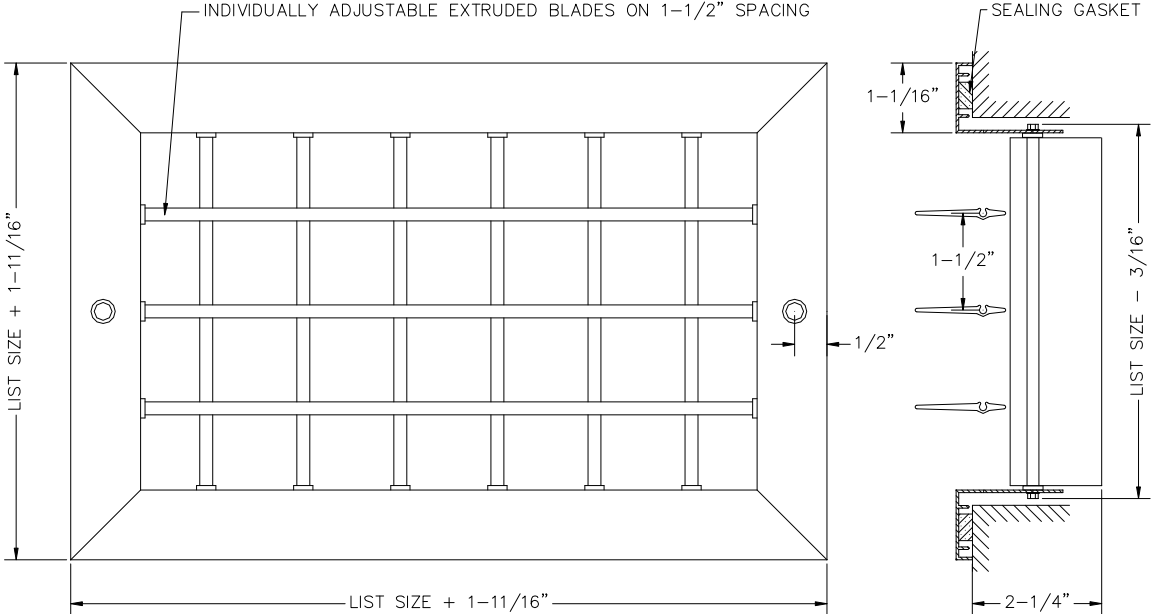


Double Deflection Industrial Supply Grille

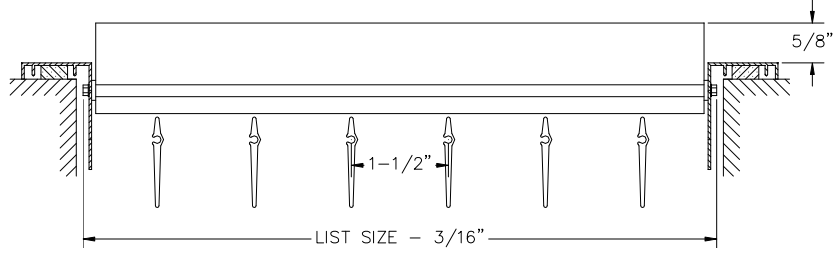
DAIGHV



- Double deflection individually adjustable blades on 1-1/2+ spacing provide a large free area
- Extruded aluminum blade with semi-airfoil design
- Aluminum extruded frame with mechanically locked corners
- Countersunk screwholes c/w painted mounting screws
- Sealing gasket to prevent streaking of walls or ceiling
- Available on 2+ increments as standard
- Custom sizes available but extra charge may apply
- Max blade length is 26+ Mullions used for larger sizes
- Durable powdercoat painted finish
- Available in either White or Silver



Standard blade option (shown). See following page for other options



MODEL	DAIGHV
FACE BLADES	Horizontal Adjustable
REAR BLADES	Vertical Adjustable
DAMPER	n/a
MATERIAL	Aluminum
COLOR	White or Silver

JOB NAME: _____

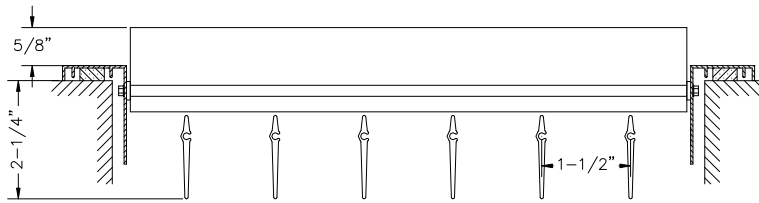
LOCATION: _____

ARCHITECT: _____

ENGINEER: _____

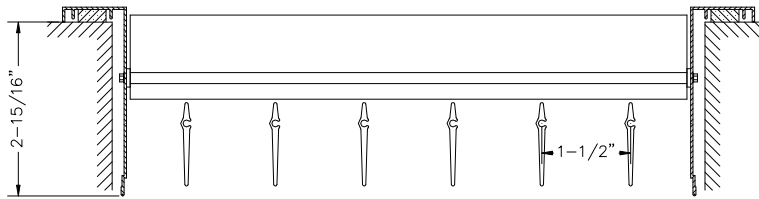
CONTRACTOR: _____

Industrial Grille Options

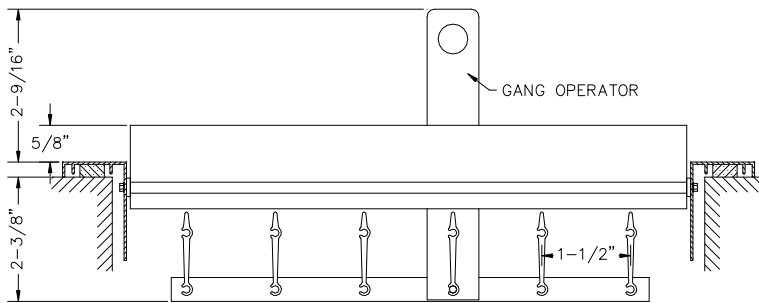


Standard

Standard blade option can extend out up to 5/8+
Do not specify this blade option for a location where it may cause a safety concern

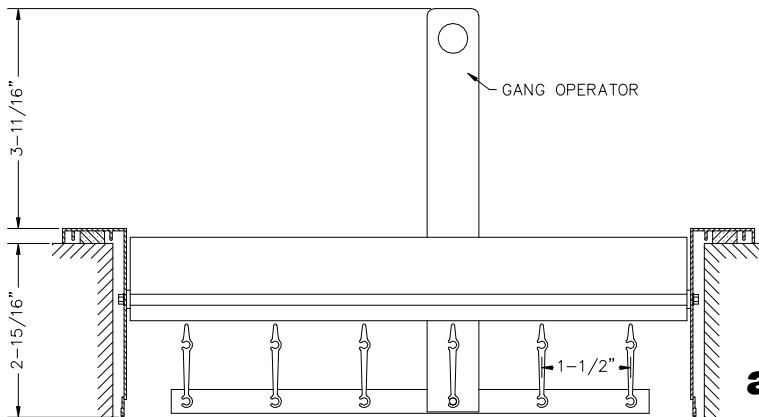


-R
Recessed blades



-G
Ganged blades

Gang operator can extend out up to 2-9/16+
Do not specify this blade option for a location where it may cause a safety concern
Extra operator installed every 26+



-R-G
**Recessed blades
and Gang operator**

Gang operator can extend out up to 3-11/16+
Do not specify this blade option for a location where it may cause a safety concern
Extra operator installed every 26+