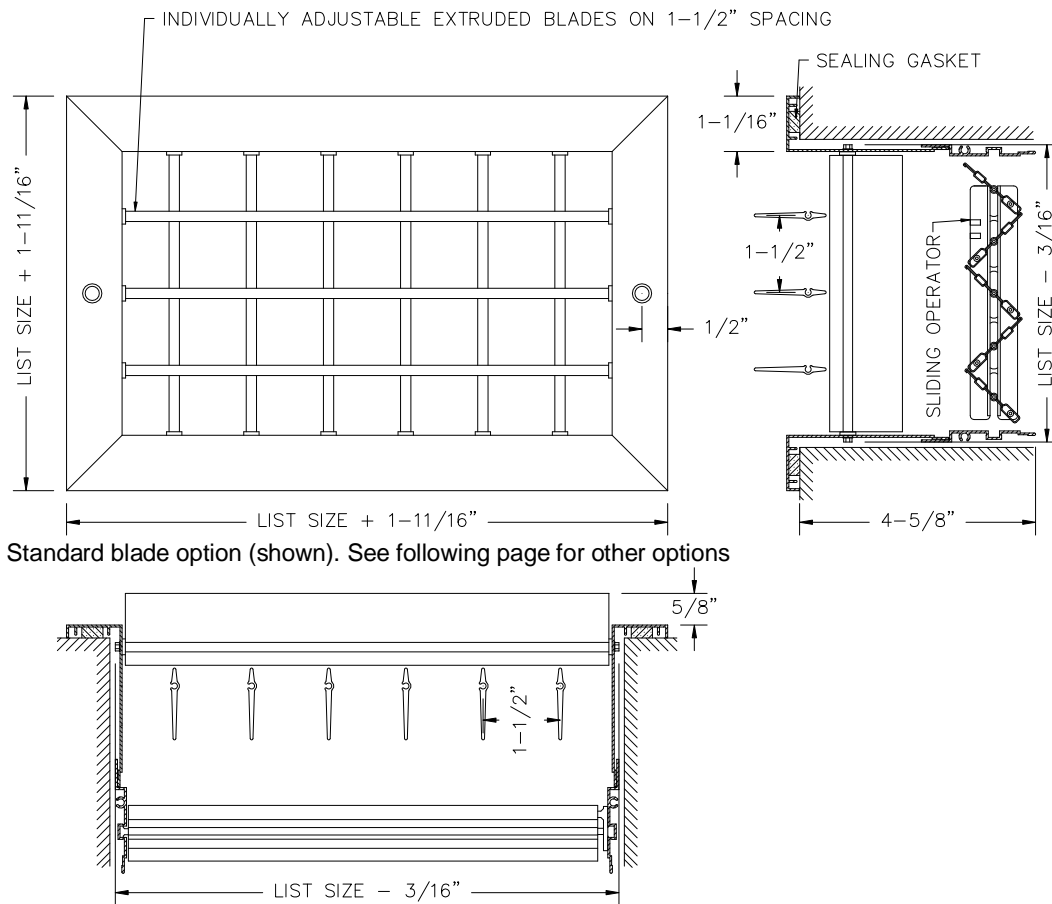


Double Deflection Industrial Supply Register

DAIGHVD



- Double deflection individually adjustable blades on 1-1/2" spacing provide a large free area
- Opposed Blade Damper with sliding operator
- Extruded aluminum blade with semi-airfoil design
- Aluminum extruded frame with mechanically locked corners
- Countersunk screwholes c/w painted mounting screws
- Sealing gasket to prevent streaking of walls or ceiling
- Available on 2+ increments as standard
- Custom sizes available but extra charge may apply
- Max blade length is 26+ Mullions used for larger sizes
- Durable powdercoat painted finish
- Available in either White or Silver



MODEL	DAIGHVD
FACE BLADES	Horizontal Adjustable
REAR BLADES	Vertical Adjustable
DAMPER	Opposed Blade
MATERIAL	Aluminum
COLOR	White or Silver

JOB NAME: _____

LOCATION: _____

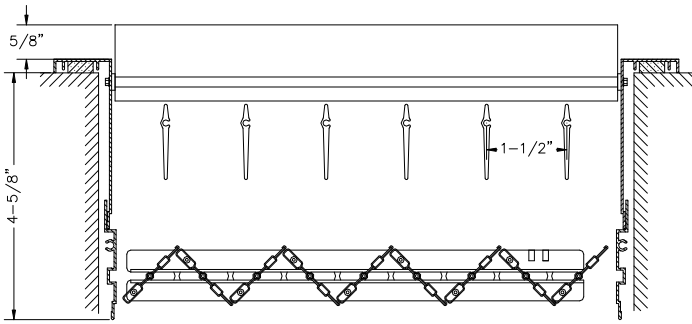
ARCHITECT: _____

ENGINEER: _____

CONTRACTOR: _____

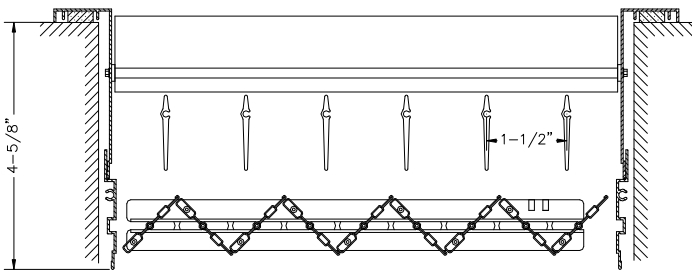


Industrial Register Options

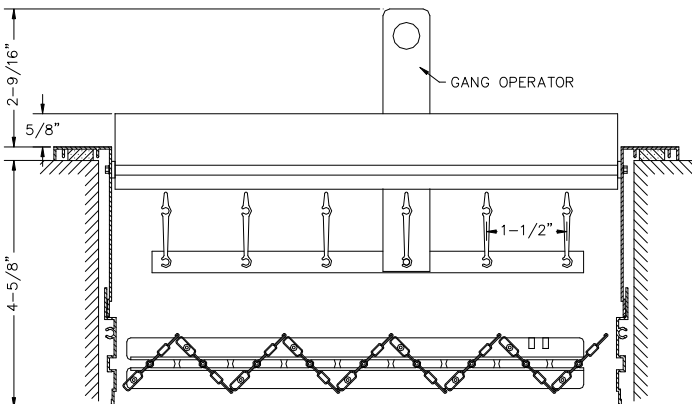


Standard

Standard blade option can extend out up to 5/8+
Do not specify this blade option for a location where it may cause a safety concern

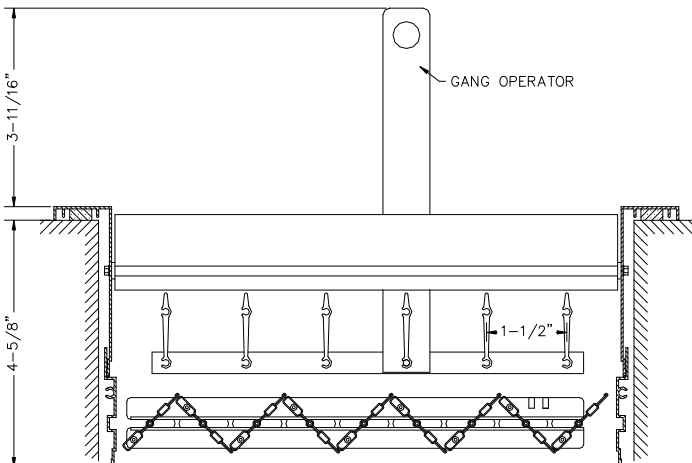


**-R
Recessed blades**



**-G
Ganged blades**

Gang operator can extend out up to 2-9/16+
Do not specify this blade option for a location where it may cause a safety concern.
Extra operator installed every 26+



**-R-G
Recessed blades
and Gang operator**

Gang operator can extend out up to 3-11/16+
Do not specify this blade option for a location where it may cause a safety concern.
Extra operator installed every 26+