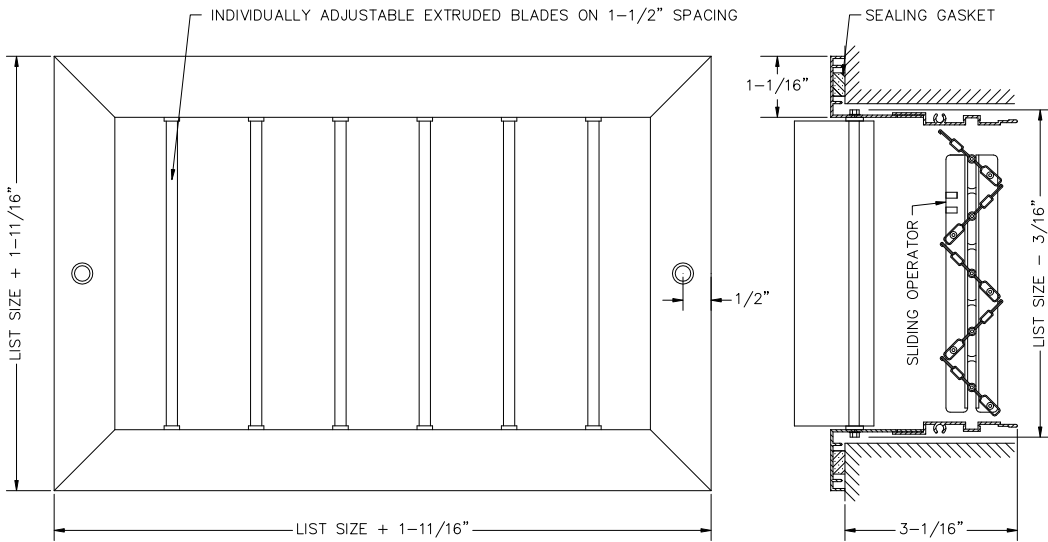


Single Deflection Industrial Supply Register

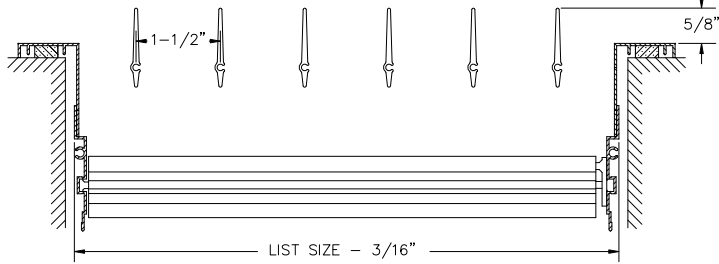


DAIGVD

- Vertical individually adjustable blades on 1-1/2" spacing provide a large free area
- Opposed Blade Damper with slide operator
- Extruded aluminum blade with semi-airfoil design
- Aluminum extruded frame with mechanically locked corners
- Countersunk screwholes c/w painted mounting screws
- Sealing gasket to prevent streaking of walls or ceiling
- Available on 2+ increments as standard
- Custom sizes available but extra charge may apply
- Max blade length is 26+ Mullions used for larger sizes
- Durable powdercoat painted finish
- Available in either White or Silver



Standard blade option (shown). See following page for other options



MODEL	DAIGVD
FACE BLADES	Vertical Adjustable
REAR BLADES	n/a
DAMPER	Opposed Blade
MATERIAL	Aluminum
COLOR	White or Silver

JOB NAME: _____

LOCATION: _____

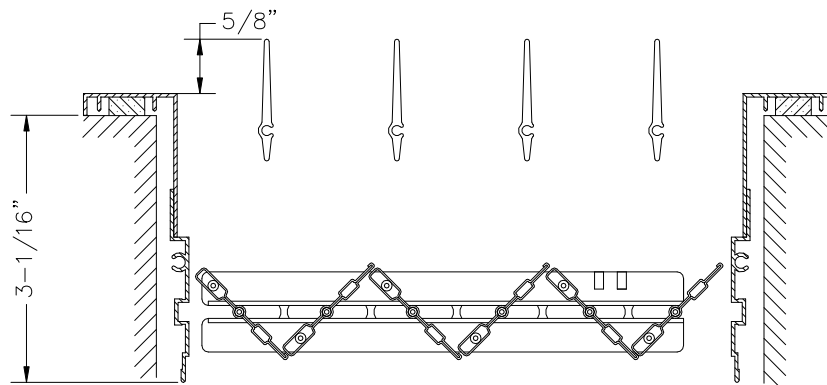
ARCHITECT: _____

ENGINEER: _____

CONTRACTOR: _____

Industrial Register Options

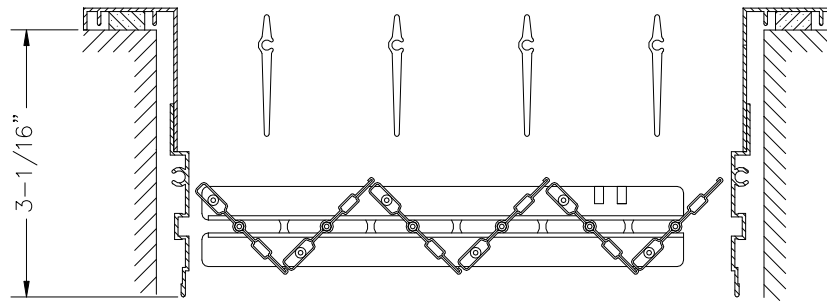
Standard



Blades on the standard blade option can extend out 5/8+
Do not specify this option when in a location that may cause a safety concern

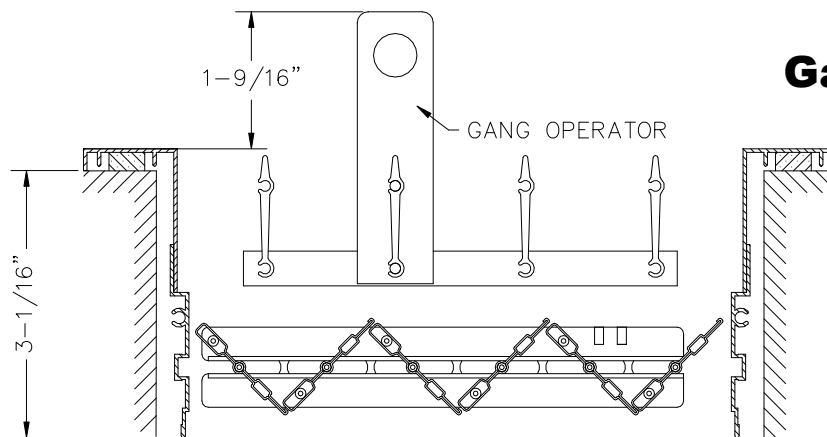
-R

Recessed blades



-G

Gang operator



Gang operator can extend out up to 1-9/16+
Do not specify this blade option for a location where it may cause a safety concern
Extra operator installed every 26+