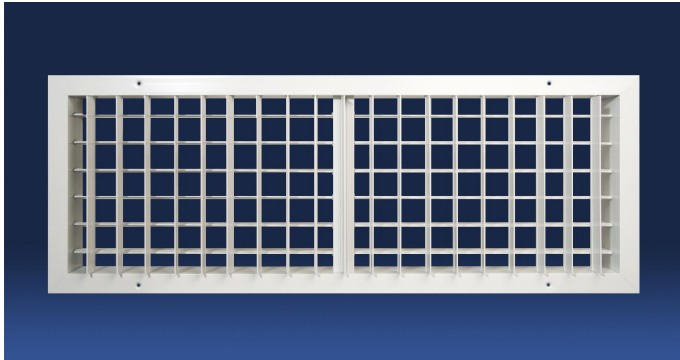
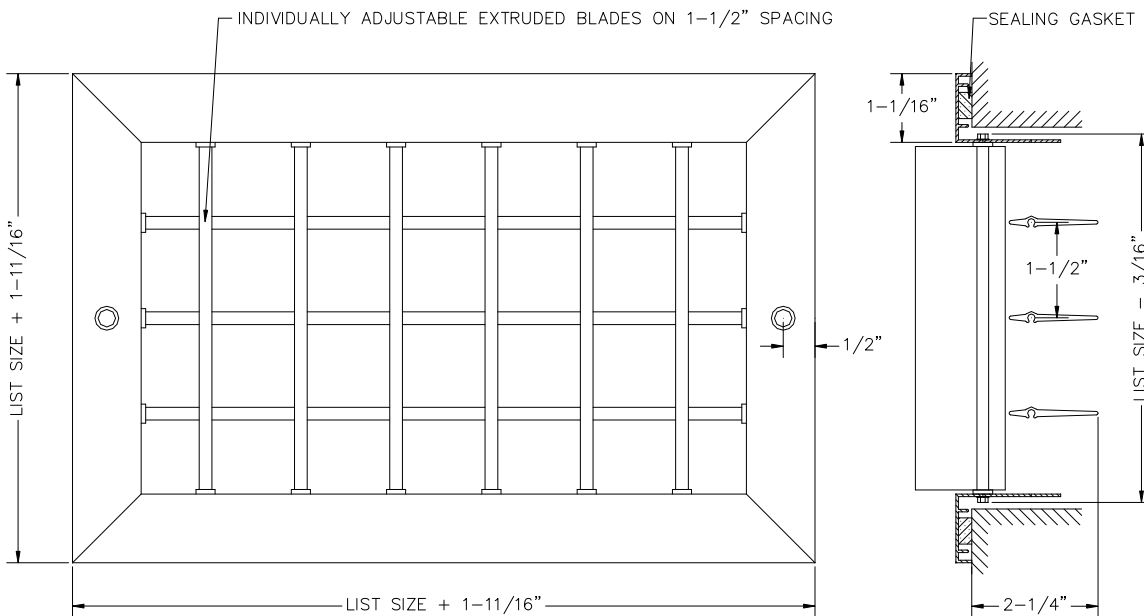


# Double Deflection Industrial Supply Grille

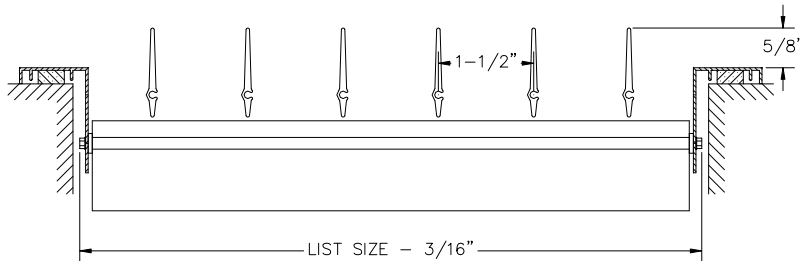


## DAIGVH

- Double deflection individually adjustable blades on 1-1/2" spacing provide a large free area
- Extruded aluminum blade with semi-airfoil design
- Aluminum extruded frame with mechanically locked corners
- Countersunk screwholes c/w painted mounting screws
- Sealing gasket to prevent streaking of walls or ceiling
- Available on 2+ increments as standard
- Custom sizes available but extra charge may apply
- Max blade length is 26+ Mullions used for larger sizes
- Durable powdercoat painted finish
- Available in either White or Silver



Standard blade option (shown). See following page for other options



MODEL	DAIGVH
FACE BLADES	Vertical Adjustable
REAR BLADES	Horizontal Adjustable
DAMPER	n/a
MATERIAL	Aluminum
COLOR	White or Silver

JOB NAME: \_\_\_\_\_

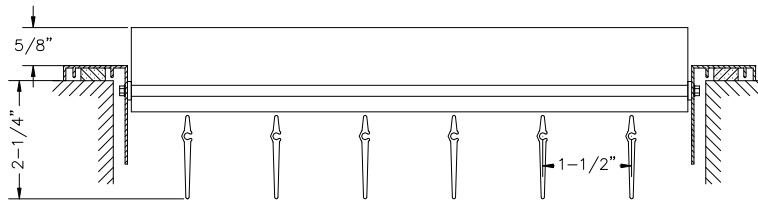
LOCATION: \_\_\_\_\_

ARCHITECT: \_\_\_\_\_

ENGINEER: \_\_\_\_\_

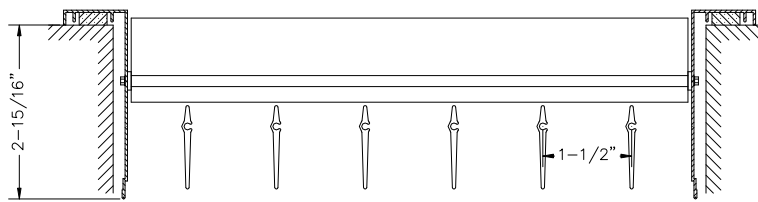
CONTRACTOR: \_\_\_\_\_

# Industrial Grille Options

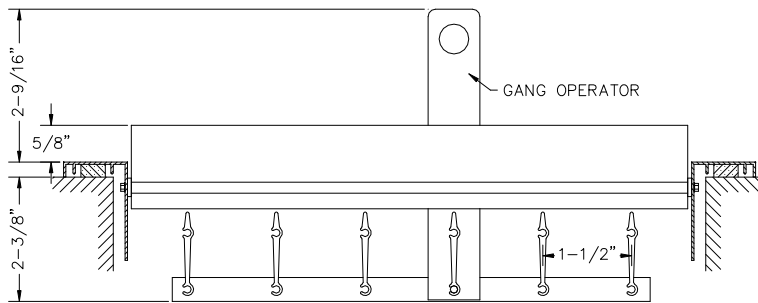


**Standard**

Standard blade option can extend out up to 5/8+  
Do not specify this blade option for a location where it may cause a safety concern

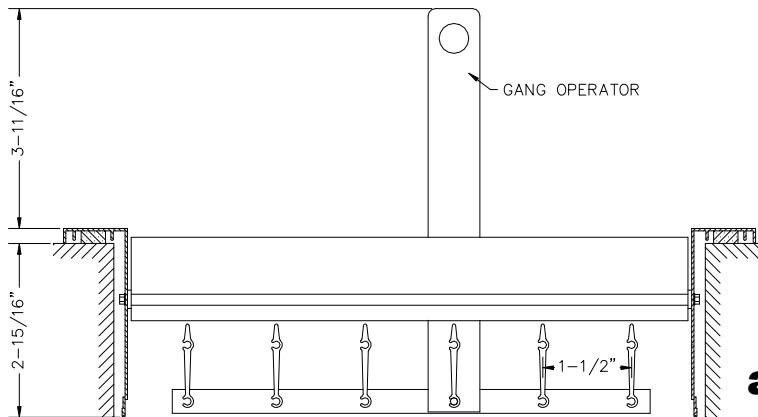


**-R**  
**Recessed blades**



**-G**  
**Ganged blades**

Gang operator can extend out up to 2-9/16+  
Do not specify this blade option for a location where it may cause a safety concern  
Extra operator installed every 26+



**-R-G**  
**Recessed blades  
and Gang operator**

Gang operator can extend out up to 3-11/16+  
Do not specify this blade option for a location where it may cause a safety concern  
Extra operator installed every 26+