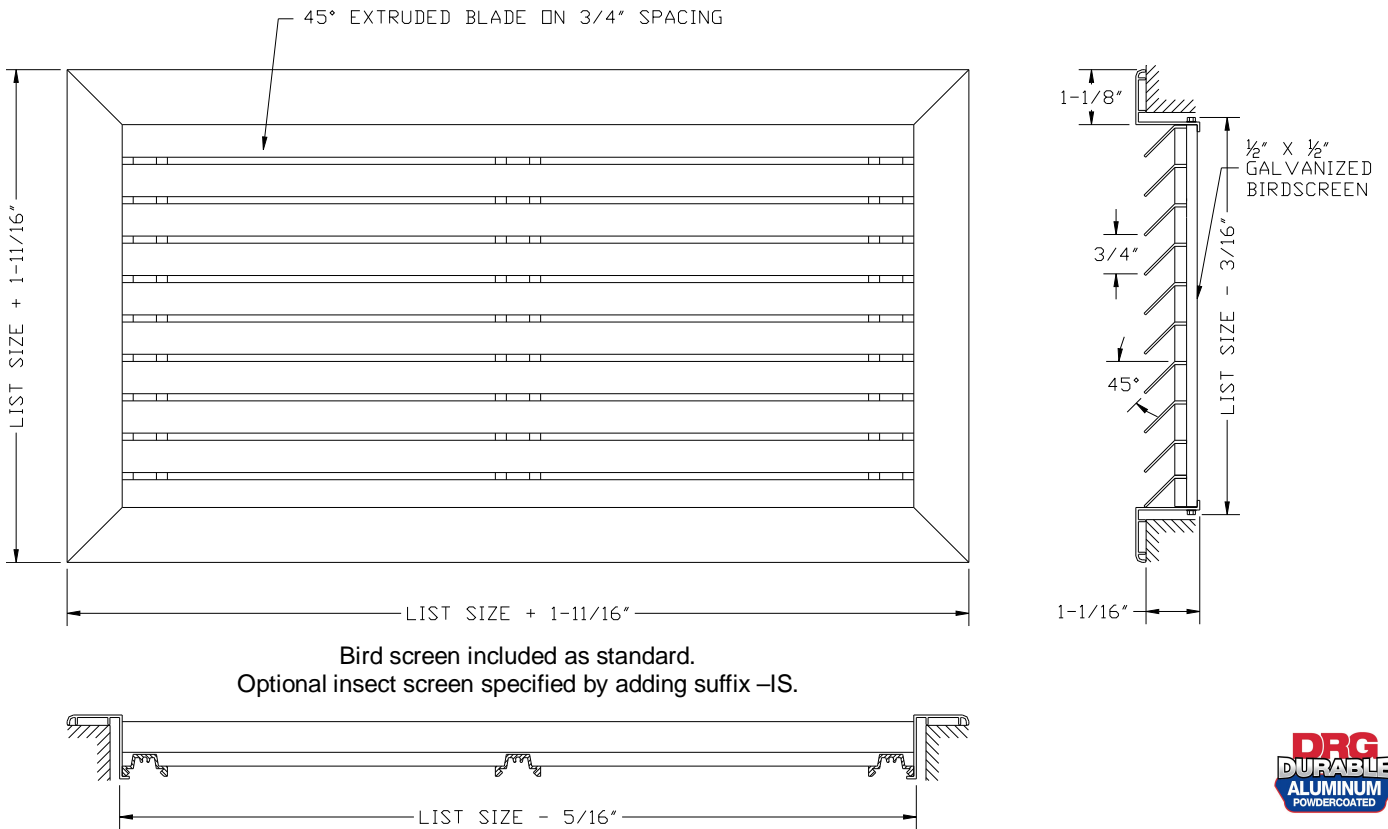


Thin Line Louvers



DALTL-45

- Horizontal blades fixed on 45° deflection and 3/4" spacing
- Extruded aluminum blades designed for high efficiency
- Aluminum extruded supports hidden behind for a continuous clean appearance; no face mullions
- Aluminum extruded frame with mechanically locked corners
- Available on 1" increments as standard, minimum size 4"
- Maximum length 78", maximum height is 60"
- Custom sizes available, but extra charge may apply
- Bird screen included as standard; insect screen optional
- Available in Mill as standard – durable powder coat painted White, Silver, Brown or Special* finishes are also available



MODEL	DALTL-45
FACE BLADES	45° Extruded Blades
THICKNESS	0.050" to 0.070"
SCREEN	Bird Screen
MATERIAL	6063-T5 Aluminum
COLOR	White/Silver/Mill Brown/Special*

JOB NAME: _____

LOCATION: _____

ARCHITECT: _____

ENGINEER: _____

CONTRACTOR: _____