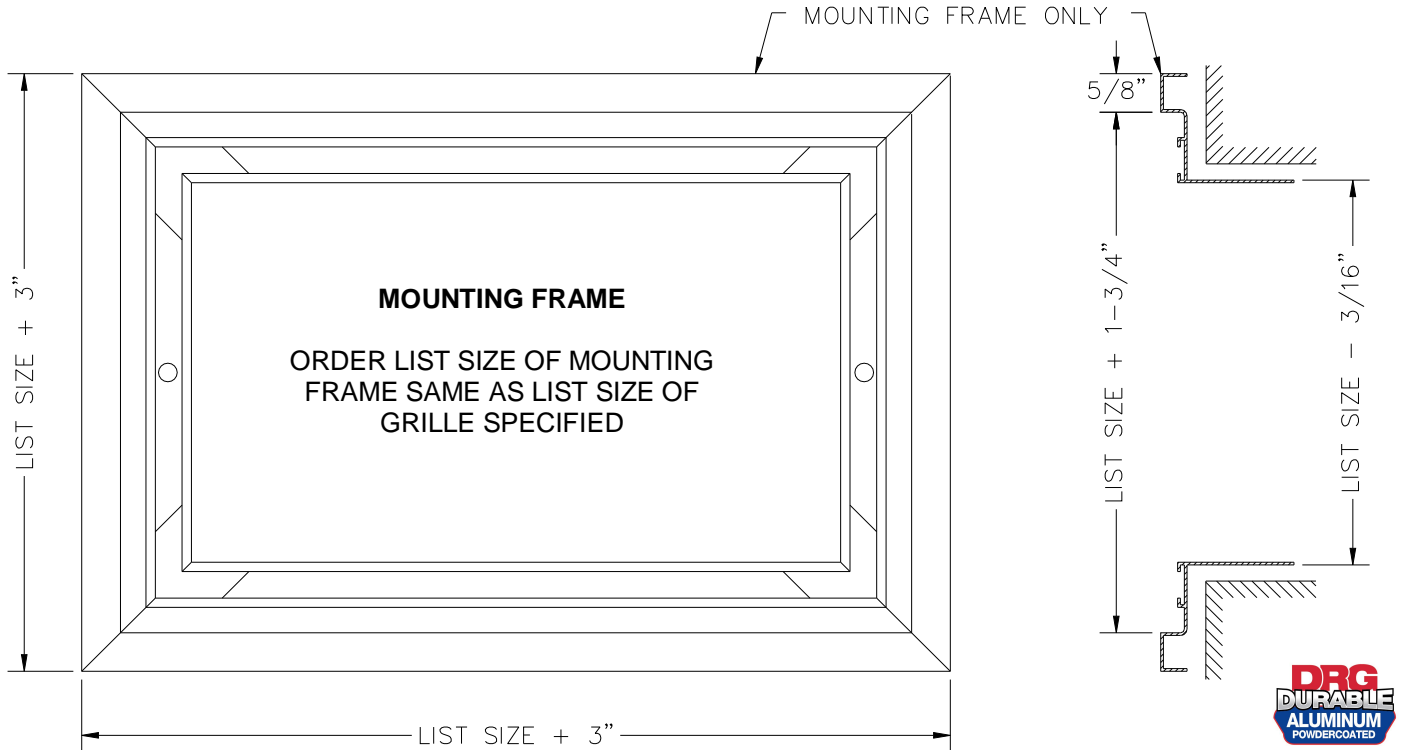


## Mounting Frame

**-MF**



- Provides a slightly wider flange when required
- Aluminum extruded frame with mechanically locked corners
- Available on 2" increments as standard
- Custom sizes available, but extra charge may apply
- Durable powder coat painted finish
- Available in White, Silver, Mill or Special\*



<b>MODEL</b>	<b>MF</b>
<b>FACE BLADES</b>	n/a
<b>REAR BLADES</b>	n/a
<b>DAMPER</b>	n/a
<b>MATERIAL</b>	Aluminum
<b>COLOR</b>	White/Silver/Mill/Special*

**JOB NAME:** \_\_\_\_\_

**LOCATION:** \_\_\_\_\_

**ARCHITECT:** \_\_\_\_\_

**ENGINEER:** \_\_\_\_\_

**CONTRACTOR:** \_\_\_\_\_