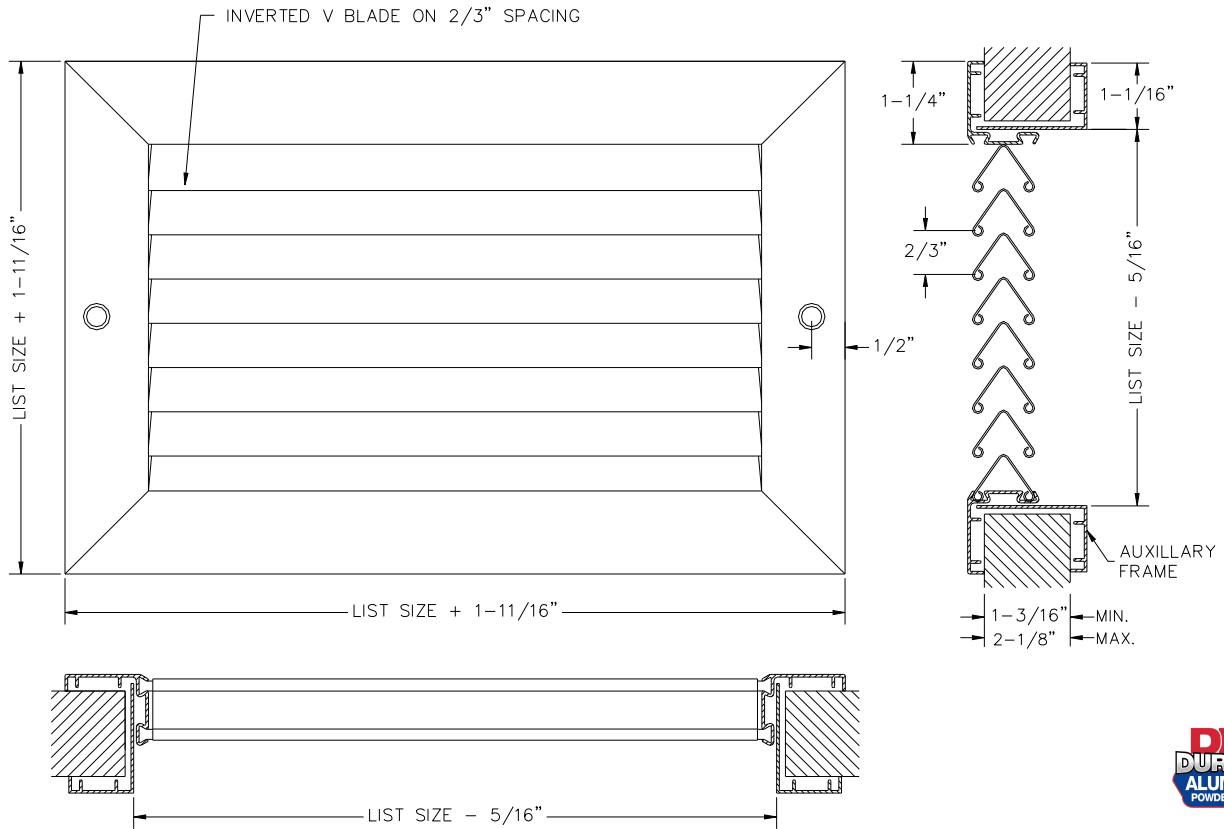


Non-Vision Door Grille



DANV-A

- Inverted V roll-formed blades on 2/3" spacing providing a stylish appearance on both sides
- Pressure fit nylon pivot pins (rattle free & non-loosening)
- Aluminum extruded frame with mechanically locked corners
- Aluminum extruded auxiliary trim frame for opposite side (fits doors 1³/₁₆" to 2¹/₈" thick)
- Countersunk screw holes c/w painted mounting screws
- Custom sizes available, but extra charge may apply
- Max blade length is 22"; mullions used for larger sizes
- Grilles are not 100% vision proof when viewed up close
- Durable powder coat painted finish
- Available in White, Silver or Mill



MODEL	DANV-A
FACE BLADES	Inverted V Blade
REAR BLADES	n/a
DAMPER	n/a
MATERIAL	Aluminum
COLOR	White/Silver/Mill

JOB NAME: _____

LOCATION: _____

ARCHITECT: _____

ENGINEER: _____

CONTRACTOR: _____