

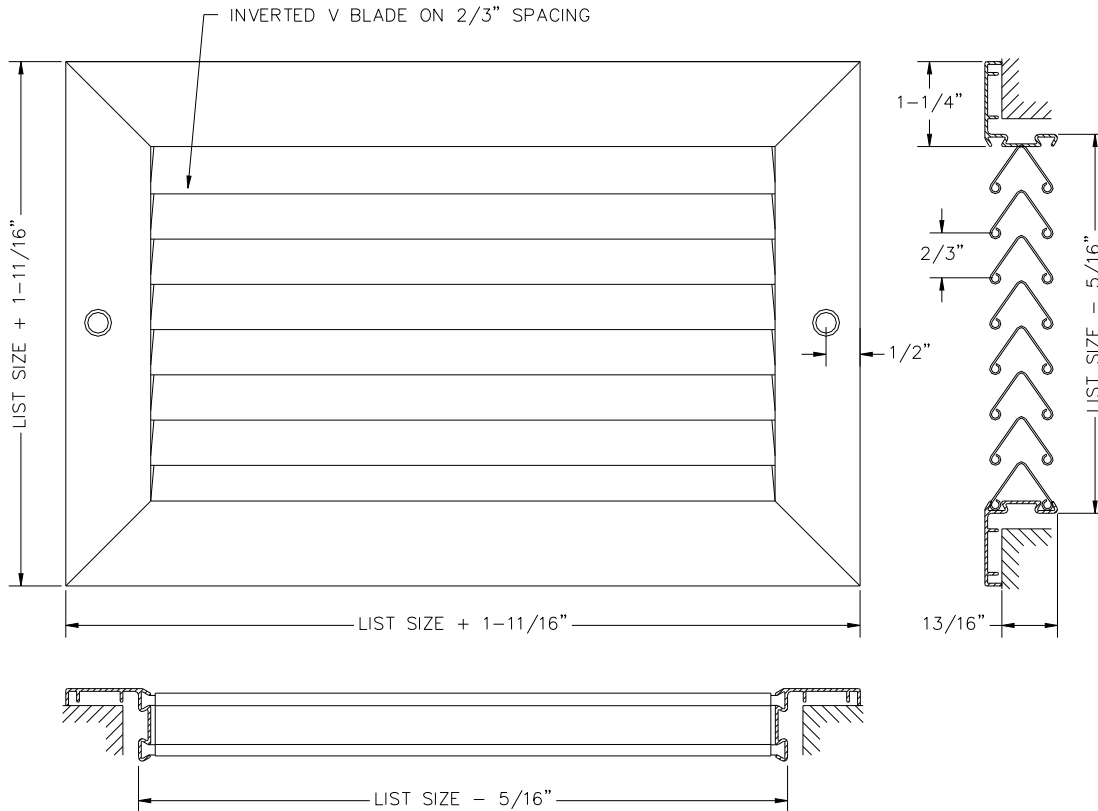
## Non-Vision Door Grille



### DANV-B

- Inverted V roll-formed blades on 2/3" spacing providing a stylish appearance on both sides
- Pressure fit nylon pivot pins (rattle free & non-loosening)
- Aluminum extruded frame with mechanically locked corners
- Countersunk screw holes c/w painted mounting screws
- Custom sizes available, but extra charge may apply
- Max blade length is 22"; mullions used for larger sizes
- Grilles are not 100% vision proof when viewed up close
- Durable powder coat painted finish
- Available in White, Silver or Mill

**Auxiliary frame not included**



<b>MODEL</b>	<b>DANV-B</b>
<b>FACE BLADES</b>	Inverted V Blade
<b>REAR BLADES</b>	n/a
<b>DAMPER</b>	n/a
<b>MATERIAL</b>	Aluminum
<b>COLOR</b>	White/Silver/Mill

**JOB NAME:** \_\_\_\_\_

**LOCATION:** \_\_\_\_\_

**ARCHITECT:** \_\_\_\_\_

**ENGINEER:** \_\_\_\_\_

**CONTRACTOR:** \_\_\_\_\_