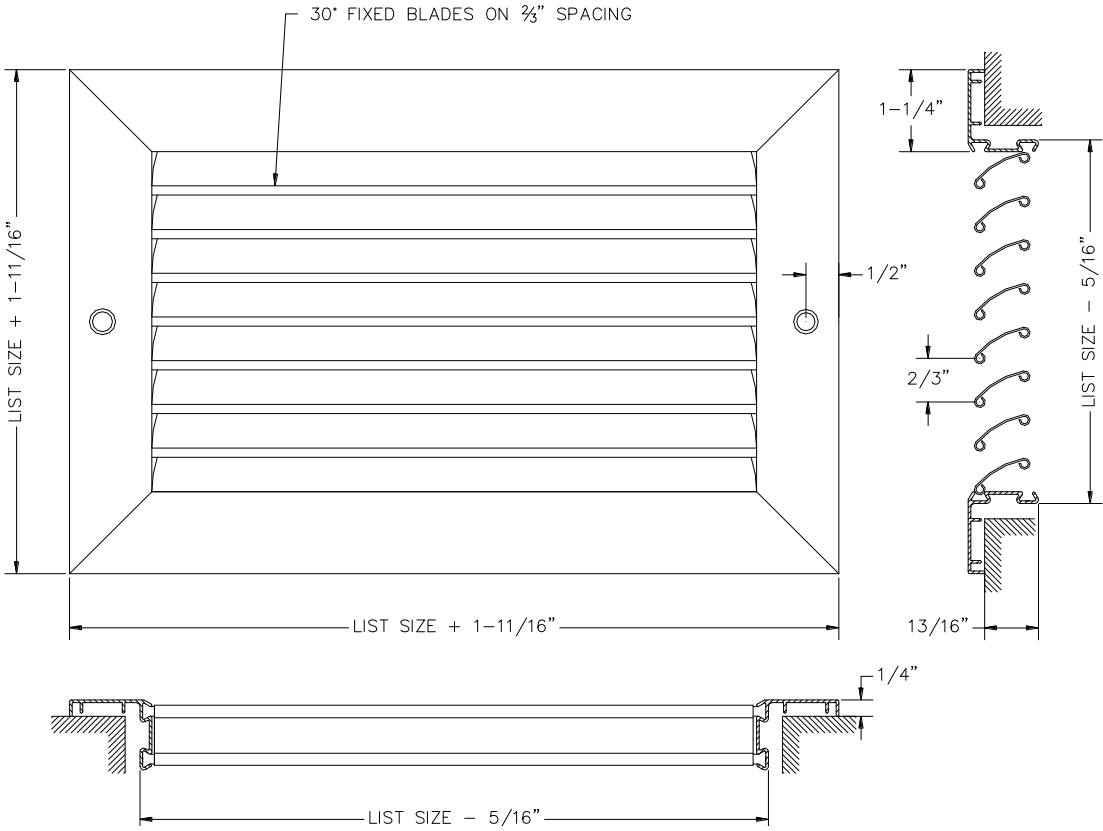


Return Air Grille



DARH

- Horizontal blades fixed on 30° deflection and 2/3" spacing
- Aluminum roll-formed blade providing a stylish appearance
- Pressure fit nylon pivot pins (rattle free & non-loosening)
- Aluminum extruded frame with mechanically locked corners
- Countersunk screw holes c/w painted mounting screws
- Available on 2" increments as standard
- Custom sizes available, but extra charge may apply
- Max blade length is 22", nullions used for larger sizes
- Durable powder coat painted finish
- Available in White, Silver or Mill



MODEL	DARH
FACE BLADES	Horizontal Fixed 30°
REAR BLADES	n/a
DAMPER	n/a
MATERIAL	Aluminum
COLOR	White/Silver/Mill

JOB NAME: _____

LOCATION: _____

ARCHITECT: _____

ENGINEER: _____

CONTRACTOR: _____