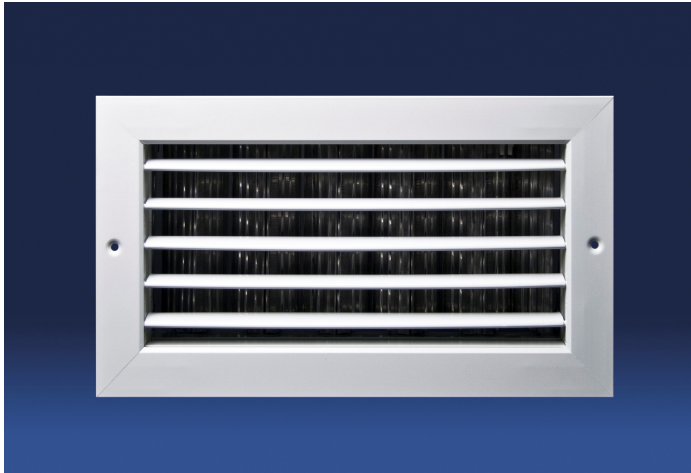
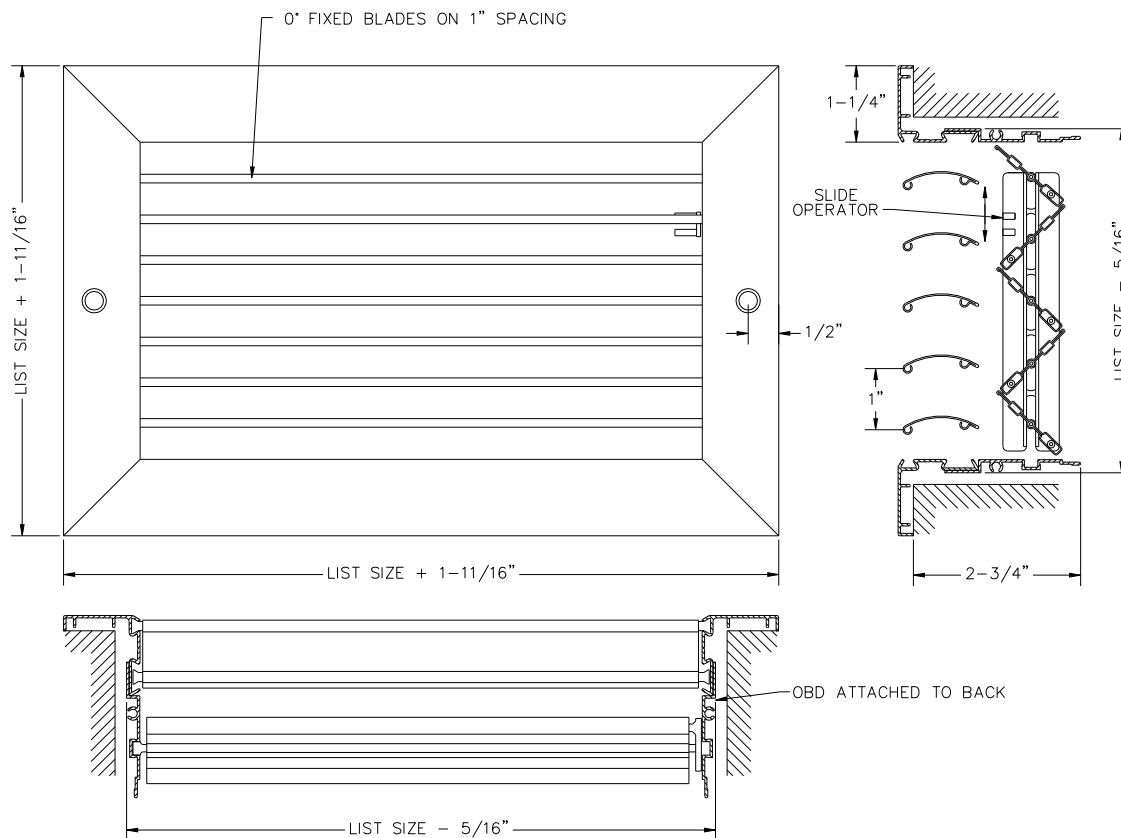


Return Air Register

DARH1-SD



- Horizontal blades fixed on 0° deflection and 1" spacing
- Opposed Blade Damper with slide operator
- Aluminum roll-formed blades provide a stylish appearance
- Pressure fit nylon pivot pins (rattle free & non-loosening)
- Aluminum extruded frame with mechanically locked corners
- Countersunk screw holes c/w painted mounting screws
- Available on 2" increments as standard
- Custom sizes available, but extra charge may apply
- Max blade length is 22", mullions used for larger sizes
- Durable powder coat painted finish
- Available in White, Silver or Mill



MODEL	DARH1-SD
FACE BLADES	Horizontal Fixed 0°
REAR BLADES	n/a
DAMPER	Opposed Blade
MATERIAL	Aluminum
COLOR	White/Silver/Mill

JOB NAME: _____

LOCATION: _____

ARCHITECT: _____

ENGINEER: _____

CONTRACTOR: _____